

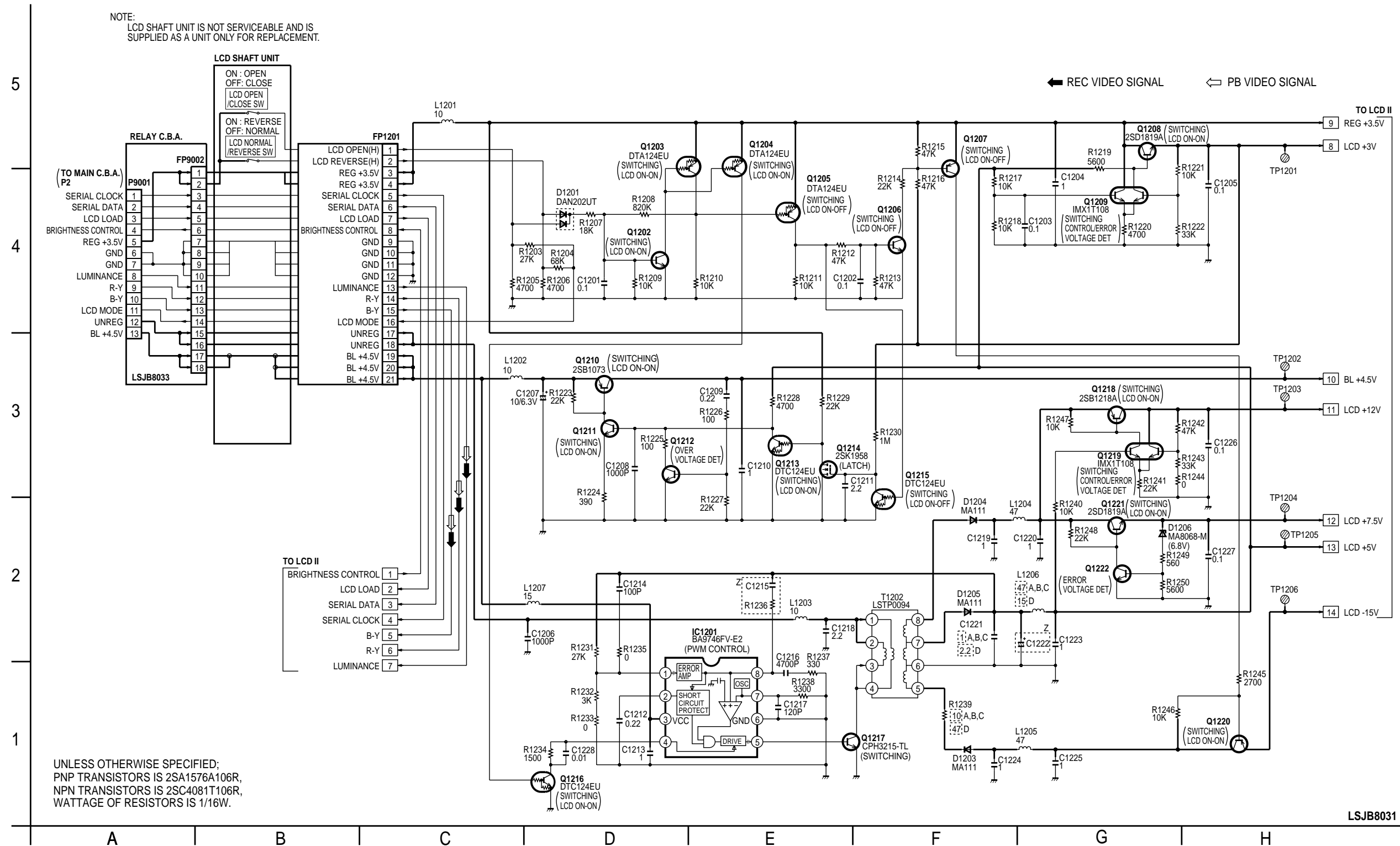
8.11. LCD I (LCD POWER) / RELAY SCHEMATIC DIAGRAM

COMPARISON CHART OF MODELS & MARKS

MODEL	MARK
PV-L750	A
----	B
PV-L780	C
PV-L850	D
Not Used	Z

NOTE:
FOR SCHEMATIC DIAGRAM AND CIRCUIT BOARD LAYOUT NOTES,
REFER TO BEGINNING OF SCHEMATIC SECTION.

NOTE:
LCD SHAFT UNIT IS NOT SERVICEABLE AND IS
SUPPLIED AS A UNIT ONLY FOR REPLACEMENT.



UNLESS OTHERWISE SPECIFIED;
PNP TRANSISTORS IS 2SA1576A106R,
NPN TRANSISTORS IS 2SC4081T106R,
WATTAGE OF RESISTORS IS 1/16W.

LSJB8031